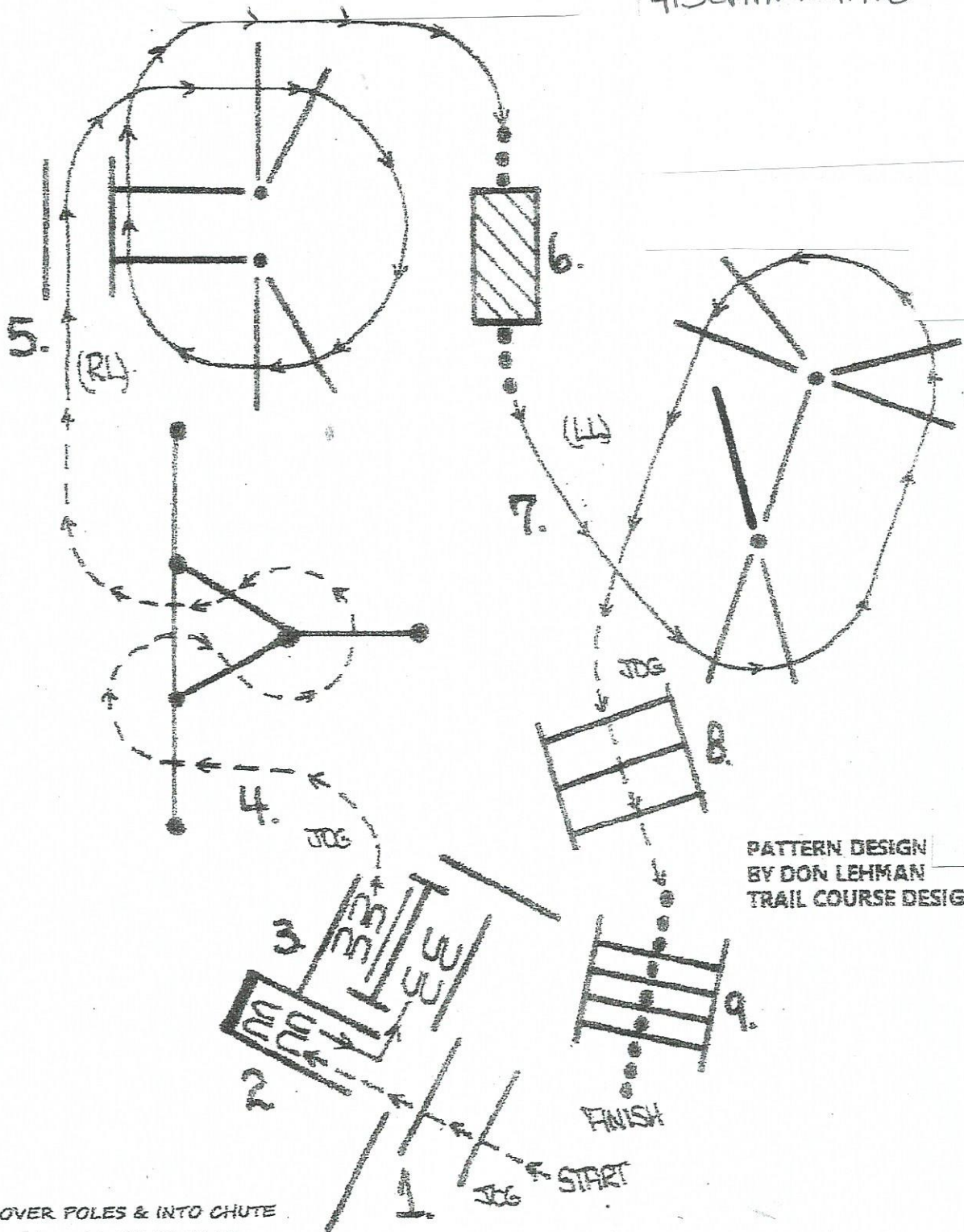


SCPTIA

Dec 8, 2024

41SCPHA Non Pro



PATTERN DESIGN
BY DON LEHMAN
TRAIL COURSE DESIGNER

1. JOG OVER POLES & INTO CHUTE
2. BACK-THRU POLES TO GATE
3. GATE (RH) RIDE THRU OVER POLE CLOSE
4. JOG THRU SERPENTINE & OVER POLES
5. LOPE OVER POLES (RL) TO BRIDGE & STOP
6. WALK OVER BRIDGE
7. LOPE OVER POLES (LL)
8. JOG OVER POLES
9. WALK OVER POLES